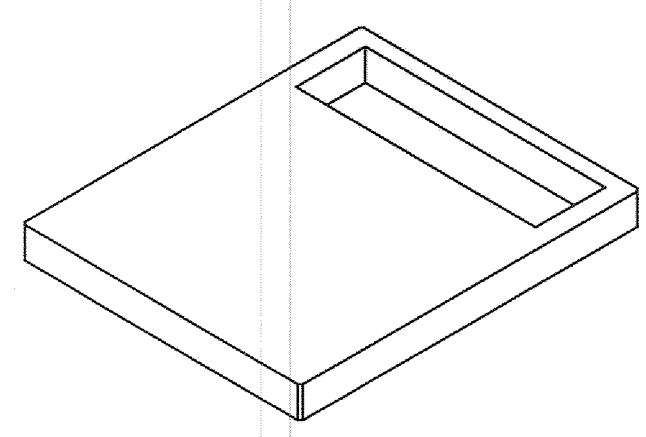
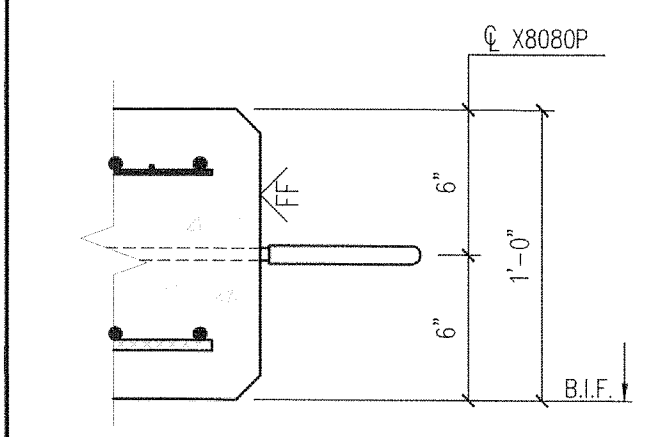


1



ISOMETRIC

RELEASED FOR
OCT 11 2012
MANUFACTURE



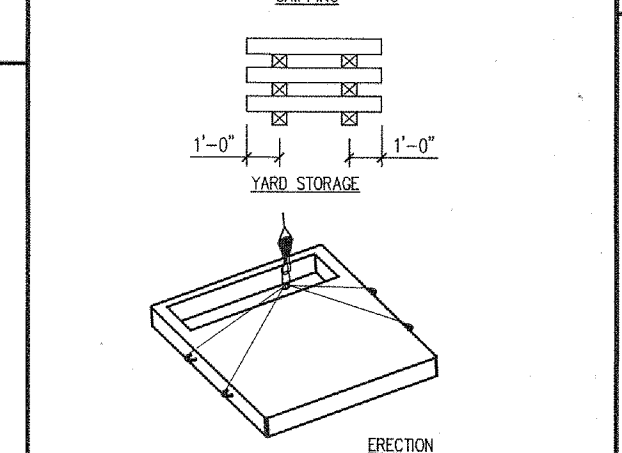
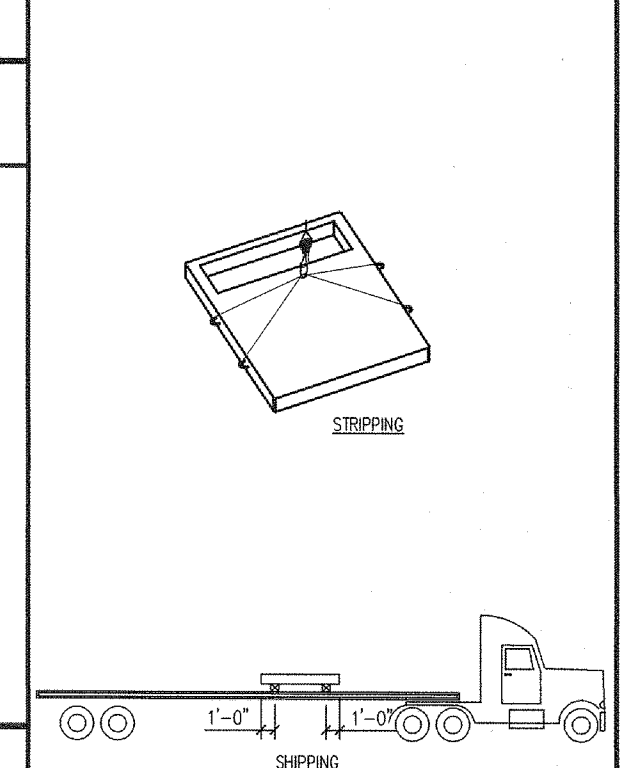
MESSAGE CENTER

STANDARD PRODUCT

CHECKED BY: *JLS* DATE: *10.11.12*
APPROVED BY: *JLS* DATE: *10.11.12*

BILL OF MATERIALS		
MARK #	DESCRIPTION	QTY
X8080P	(PATTERSON PLASTICS) 3/8" x 6' STRANDED LIFTER W/CONDUIT (PLAIN)	4
REINFORCING SCHEDULE		
MARK #	DESCRIPTION	QTY
STANDARD PARTS		
CUSTOM PARTS		
5	MK001 #4 X 10'-8" (PLAIN)	8
	MK002 #4 X 8'-8" (PLAIN)	15
	MK003 #4 X 8'-0" (PLAIN)	7
MESH SCHEDULE		
MARK #	DESCRIPTION	QTY
M1	WWF 4X4-W4XW4 6'-8" X 10'-8" CUT TO FIT	1

HANDLING INSTRUCTIONS



CONCRETE INSTRUCTIONS	
CONCRETE RELEASE @	2,000 P.S.I.
CONCRETE @ 28 DAYS:	5,000 P.S.I.
CONCRETE MIXES	
CONCRETE - GRAY	VOLUME = 3.00 C.Y.
CONCRETE - MIX 1	VOLUME = - C.Y.
CONCRETE - MIX 2	VOLUME = - C.Y.
SOFT SOUND	VOLUME = - C.Y.
TOTALS	VOLUME = 3.00 C.Y.
WEIGHT:	12,150 LBS.

FINISHING INSTRUCTIONS

WT = WET TROWEL
FF = FORM FINISH

L = 11'-0" SQ.FT.(T.I.F.) =
W = 9'-0" SQ.FT.(T.I.F.) =
D = 1'-0" SQ.FT.(T.I.F.) =

CONTROL NUMBERS:	
PRODUCT	UTILITY PAD
SALES ORDER NUMBER	STANDARD
SHEET NUMBER	1 OF 1
NUMBER REQUIRED	1

SMITH-MIDLAND
EXCELLENCE IN PRECAST CONCRETE

P.O. Box 300 Midland, VA 22728
(540) 439-3266 (800) 364-3981 FAX (540) 439-1232

REV	INI.	DESCRIPTION	DATE
1			
2			
3			
4			
5			

PROJECT: UPD1911 UTILITY PAD
5119 CATLETT RD
MIDLAND VA 22728
CONTRACTOR: SMITH-MIDLAND CORPORATION

SCALE: NTS
DRAWN BY: JLS
ISSUE DATE: 10-10-12
PIECE MARK: UPD1911