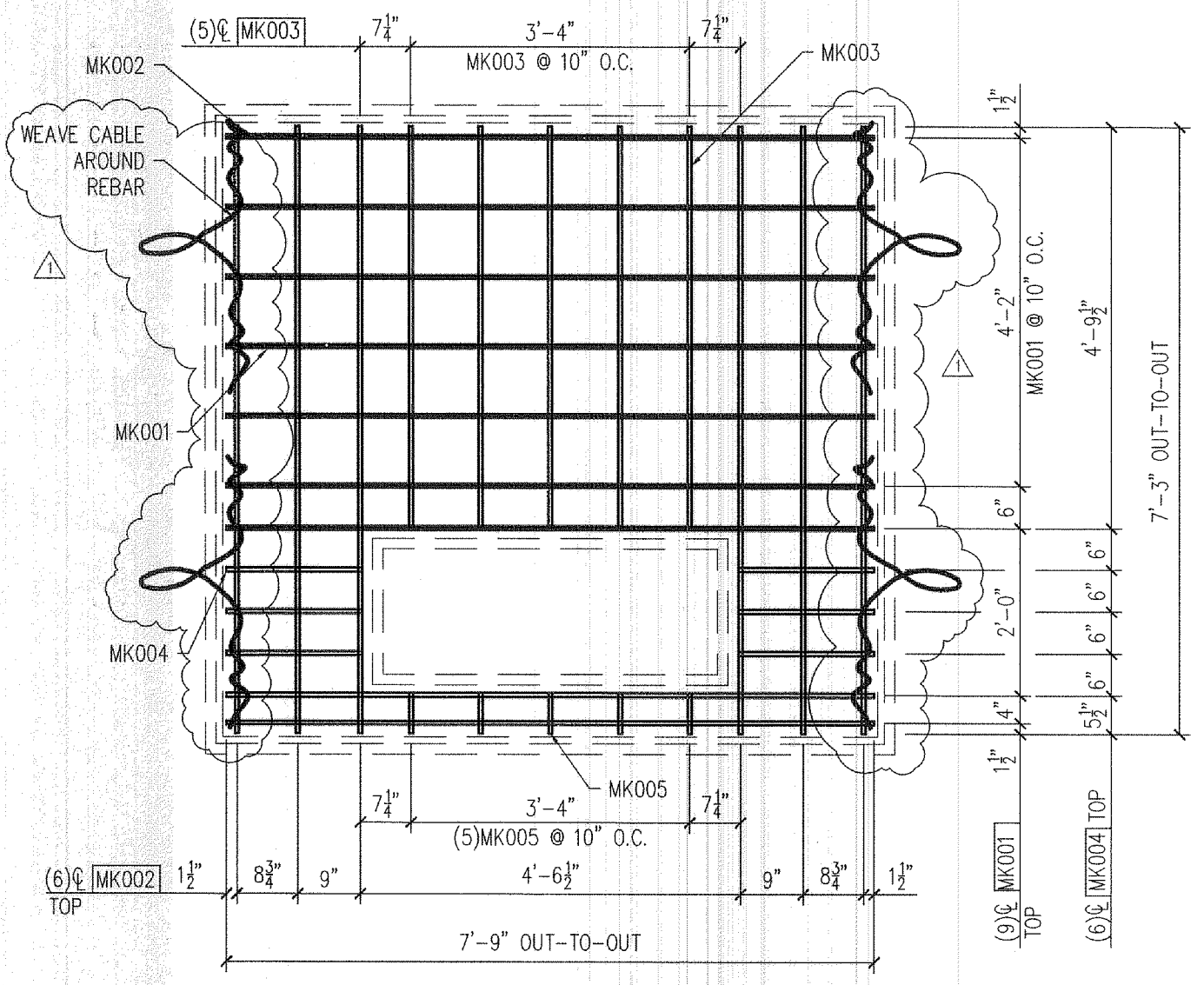
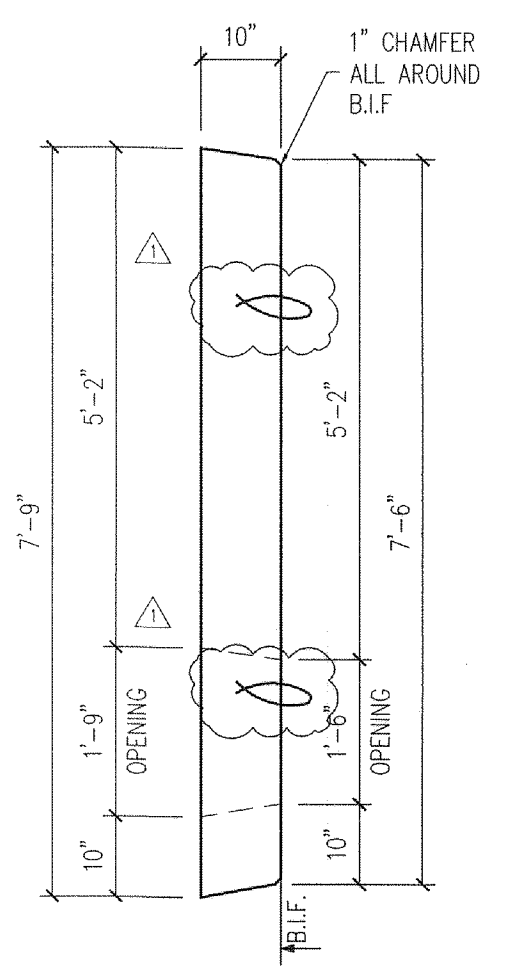
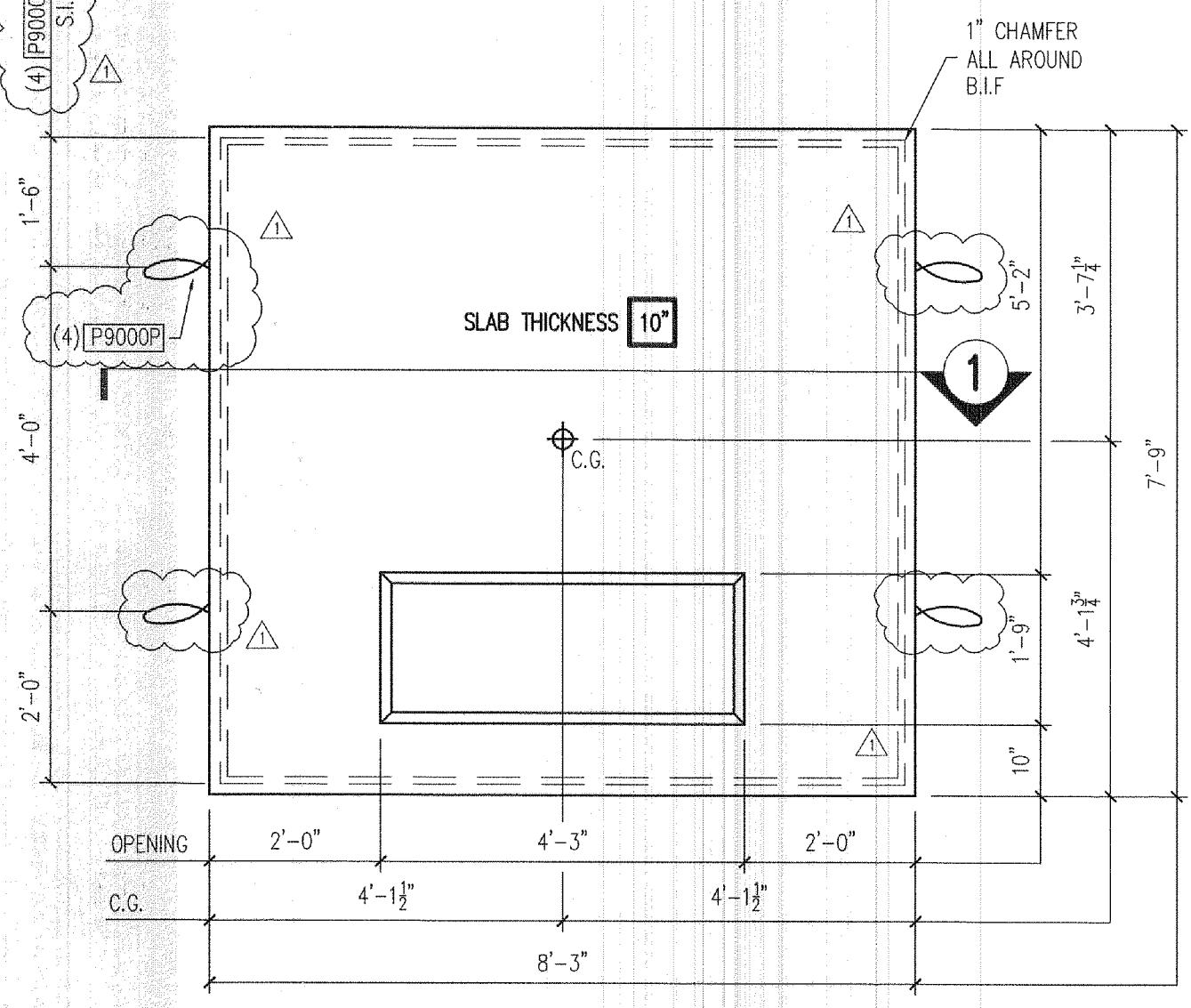
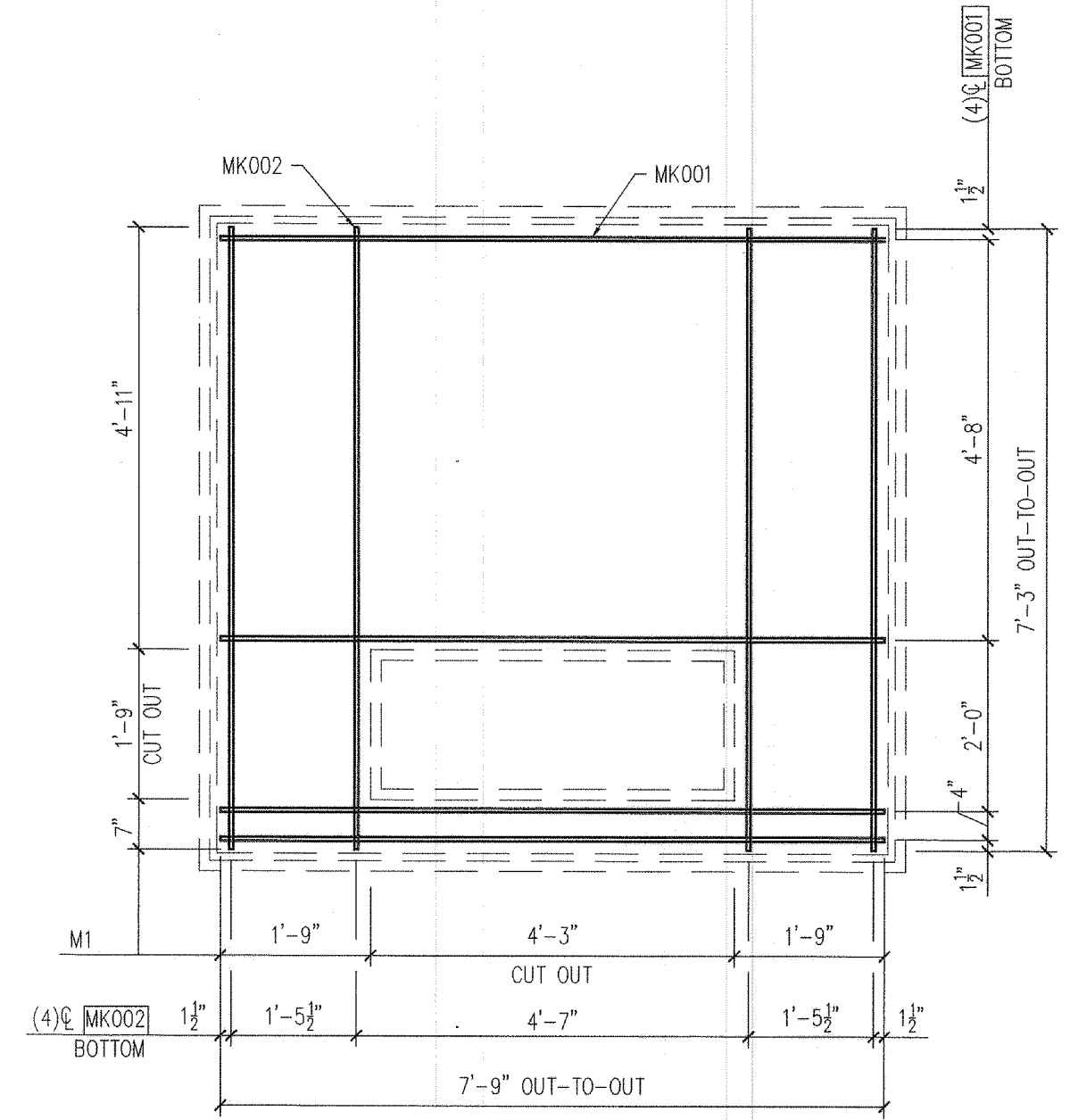


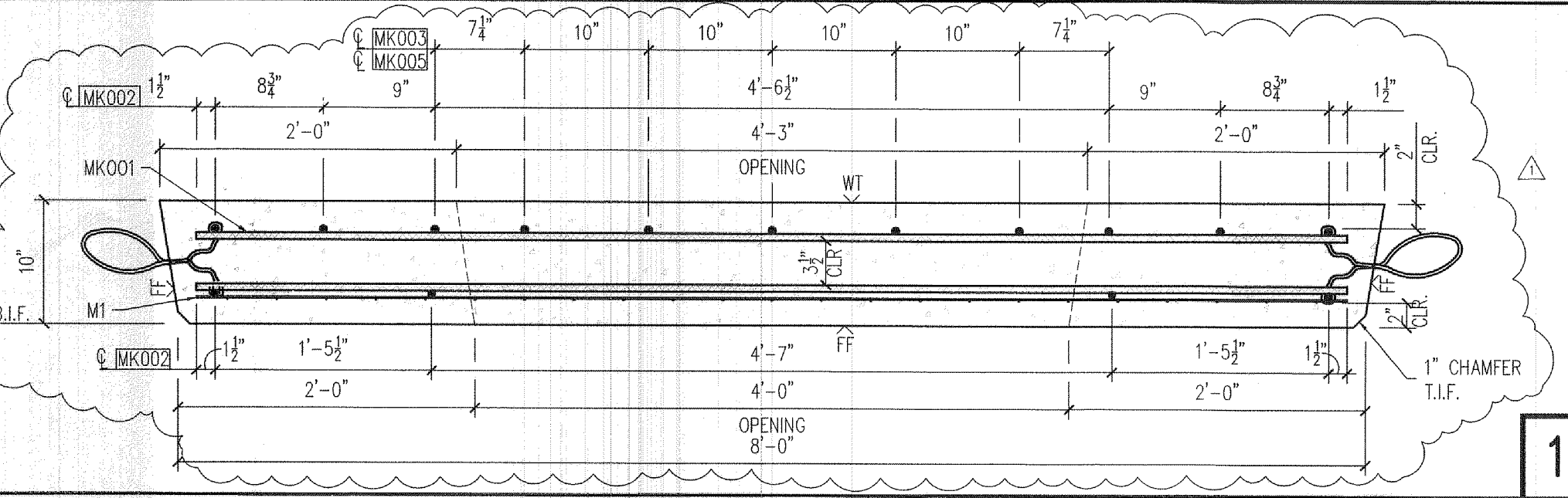
(4) P9000P S.I.F.



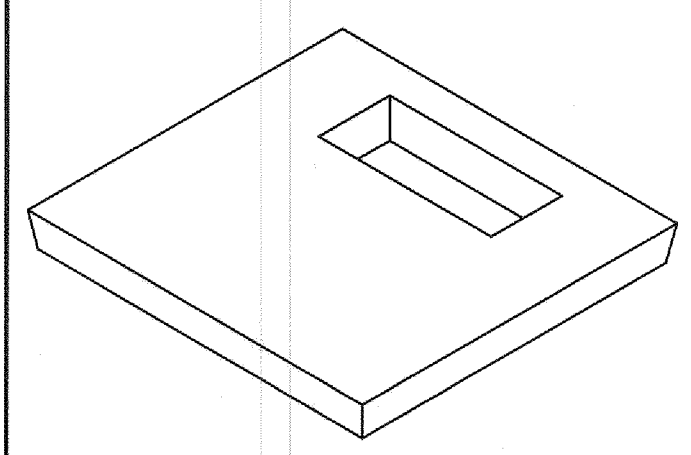
TOP REINFORCING



BOTTOM REINFORCING



1



ISOMETRIC

REVISED
JUL 26 2012
PRINT

JUL 26 2012
DESTROY PREVIOUS PRINTS

MESSAGE CENTER

STANDARD PRODUCT

CHECKED BY: *[Signature]* DATE: 7/26/12
APPROVED BY: *[Signature]* DATE: 7/26/12

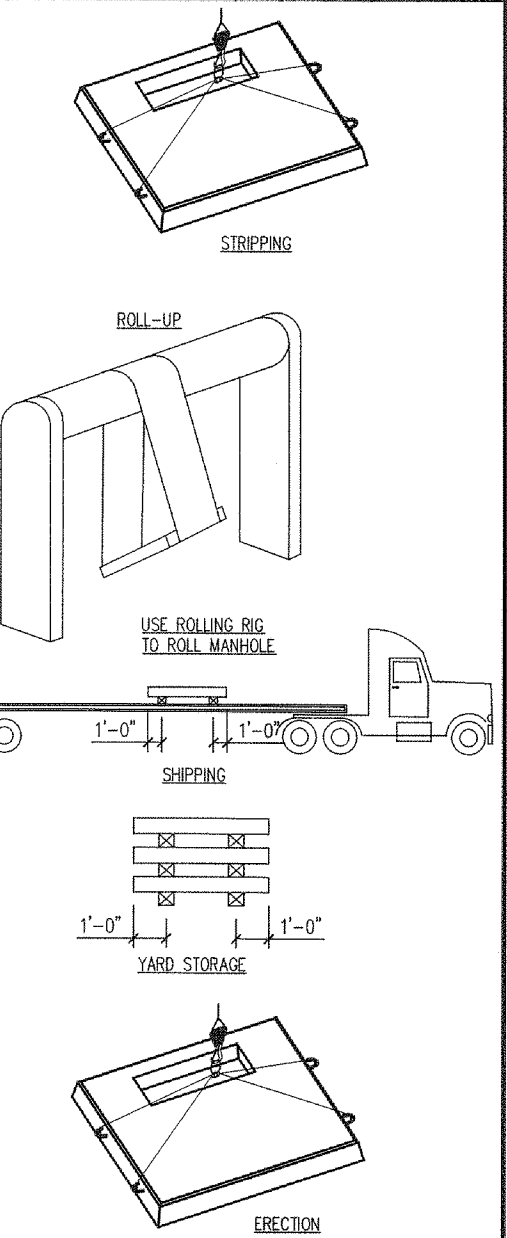
BILL OF MATERIALS		
MARK #	DESCRIPTION	QTY.
P9000G	3/8" x 9'-0" AIRCRAFT CABLE (GALVANIZED)	4
REINFORCING SCHEDULE		
MARK #	DESCRIPTION	QTY.
STANDARD PARTS		
CUSTOM PARTS		
MK001	#4 X 7'-9" (PLAIN)	13
MK002	#4 X 7'-3" (PLAIN)	10
MK003	#4 X 4'-9 3/4" (PLAIN)	5
MK004	#4 X 1'-7 1/2" (PLAIN)	6
MK005	#4 X 0'-6" (PLAIN)	5
MESH SCHEDULE		
MARK #	DESCRIPTION	QTY.
M1	WWF 4X4-W4XW4 7'-3" X 7'-9" CUT TO FIT	1

5

4

3

2



CONCRETE INSTRUCTIONS	
CONCRETE RELEASE @ 2,000 P.S.I.	
CONCRETE @ 28 DAYS: 5,000 P.S.I.	
CONCRETE MIXES	
CONCRETE - GRAY	VOLUME = 1.71 C.Y.
CONCRETE - MIX 1	VOLUME = - C.Y.
CONCRETE - MIX 2	VOLUME = - C.Y.
SOFT SOUND	VOLUME = - C.Y.
TOTALS	VOLUME = 1.71 C.Y.
WEIGHT: 6,900 LBS.	

FINISHING INSTRUCTIONS	
WJ = WET TROWEL	
FF = FORM FINISH	
L = 8'-3"	SQ.FT.(T.I.F.) = 56.5
W = 7'-9"	SQ.FT.(T.I.F.) = -
D = 10"	SQ.FT.(T.I.F.) = -
CONTROL NUMBERS:	
PRODUCT	SALES ORDER NUMBER
UTILITY PAD	STANDARD
SHEET NUMBER	NUMBER REQUIRED
1 OF 1	1

DATE	DESCRIPTION	INI.	REV	Δ	Δ	Δ	Δ
7.26.12	CHANGED TO LIFTING CABLES PER SHOP	-	-	-	-	-	-

PROJECT: UPD1876 UTILITY PAD
5119 CATLETT RD
MIDLAND VA 22728
CONTRACTOR: SMITH-MIDLAND CORPORATION

SCALE NTS
DRAWN BY WCR
ISSUE DATE 07-20-12
PIECE MARK UPD1876

SMITH-MIDLAND
EXCELLENCE IN PRECAST CONCRETE

P.O. Box 300 Midland, VA 22728
(540) 439-3266 (1800) 364-3981 FAX (540) 439-1232