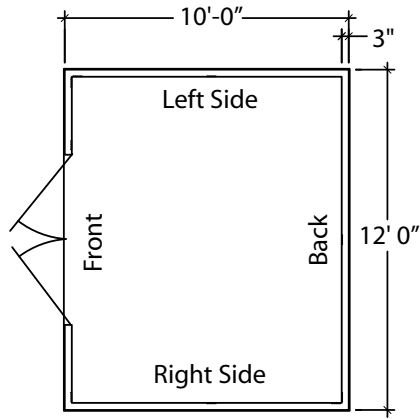
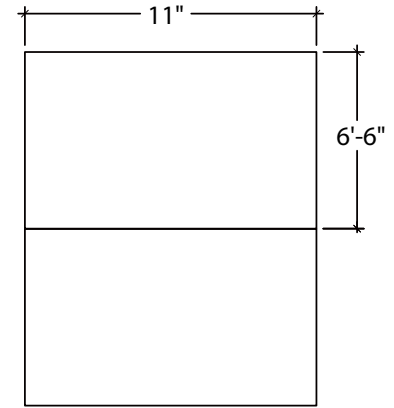


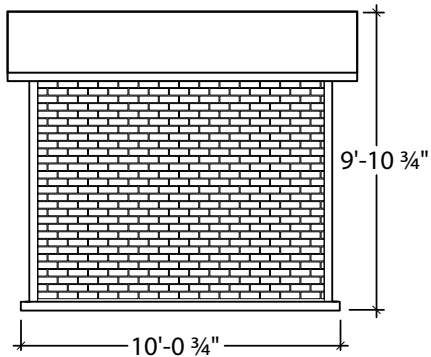
Front



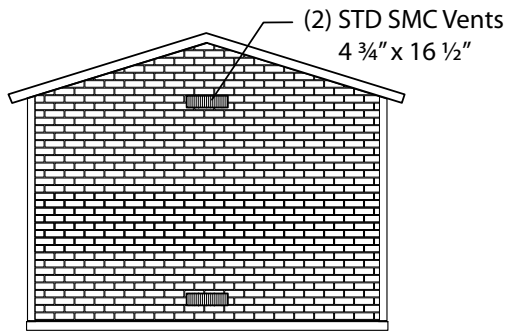
Floor Plan



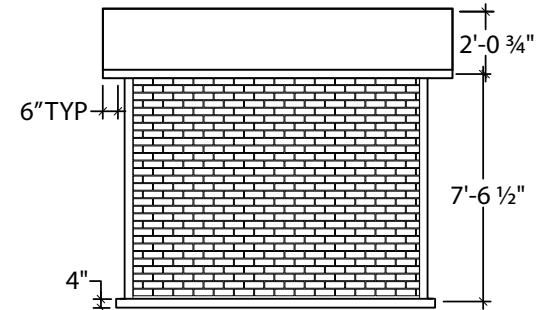
Roof Plan



Right Side



Back



Left Side

Exterior Color

- Brick Red
- Other: _____

Door Color

- Yorktown Brown
- Other: _____

Exterior Finish

- Easi-Brick™
- Other: _____

- 1) All required openings for electric, mechanical, louvers, etc. must be sized and located by buyer on this drawing (Opening sizes and locations may have to be altered if they interfere with connections or reinforcing)
- 2) All views are from exterior
- 3) A signed copy must be returned before building can be released for production

SMITH-MIDLAND® EXCELLENCE IN PRECAST CONCRETE		
PO Box 300 • Midland, VA 22728 • (540) 439-3266 • f: (540) 439-1232 • smithmidland.com		
CUSTOMER: _____		
JOB LOCATION: _____		
PRODUCT:	DR BY:	DATE:
10' x 12' EASI-SET	CHK:	DATE:
SHEET NO.	MAKE	JOB NO.
OF		